



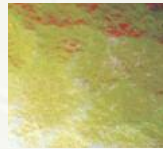
OPERABLE GLASS PARTITIONS

CRYSTAL

CRYSTAL



OPERABLE GLASS PARTITIONS



**MULTIPLE GLASS
OPTION DESIGN**

FEATURES

Double glazing with 3" (75 mm) air space

Interlocking astragals

Individual panels

Automatic bottom seals

Available options

BENEFITS

Superior acoustics

Laboratory tested STC of 44

Allows optional remote-controlled horizontal blinds

1/4" (6 mm) tempered glass compliant with ASTM C1048

Glass panels may be mixed with Signature 8000 solid panels

Ensures a rigid flat wall

Superior acoustics

Enhanced layout flexibility

Stacking options: lateral, remote, or center

Allows operation of partition without the use of lever or tool

Frame color: multiple anodizing or powder coating choices

Multiple choices of glass finishes such as acid-etched, sand-blasted, frosted, painted, or with etched designs, etc

Remote-controlled electrically tilting horizontal blinds

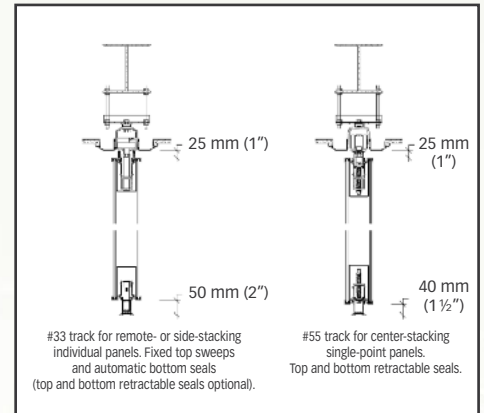
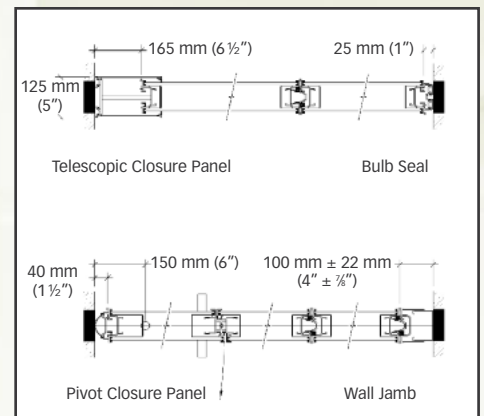
ADA-compliant pass through door

ADA-compliant pivot closure panel

Dry-erase white boards, porcelain boards, chalk boards, cork boards, all inset

Manually operated top and bottom retractable seals eliminate all friction during movement of the panels

HORIZONTAL SECTIONS



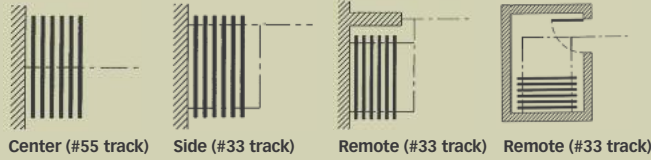
VERTICAL SECTIONS



CRYSTAL PRODUCT GUIDE

| STACK | OPERATION | STC RATING | PANEL HANGING WEIGHT lbs/sq.ft. (kg/m ²) | MAX. HEIGHT | MAX. WIDTH | TOP SEALS | BOTTOM SEALS | VERTICAL EDGE | THICKNESS | FINISH |
|--------|-----------|------------|---------------------------------------------------------|----------------|------------|--------------|--------------|---------------|------------|-------------------------|
| Side | Manual | 44 | 12 (59) | 12'-3" (3,73m) | Unlimited | Fixed sweeps | Automatic | Protective | 4" (100mm) | 1/4" (6 mm) clear glass |
| Remote | Manual | 44 | 12 (59) | 12'-3" (3,73m) | Unlimited | Fixed sweeps | Automatic | Protective | 4" (100mm) | 1/4" (6 mm) clear glass |
| Center | Manual | 44 | 12 (59) | 12'-3" (3,73m) | Unlimited | Mechanical | Mechanical | Protective | 4" (100mm) | 1/4" (6 mm) clear glass |

STACK MODES



■ MATERIALS

A. Product to be top supported model Crystal [individual panels or single point panels] as manufactured by Moderco inc.

1. Panels shall be nominally 4" [100mm] thick, in manufacturer's standard widths up to 60" [1525mm].
2. Panel faces shall be made of 1/4" [6mm] clear tempered glass. Panel faces shall be inserted into the panel frame.
3. Frames shall be a composed of steel and aluminum alloys, formed to protect the edges of the face material.
4. Interlocking vertical seals between the panels shall consist of tongue and groove aluminum and vinyl astragals creating a shock-absorbing, deep nesting, impact resistant acoustical interlock between panels.
5. Horizontal top seals shall be [continuous contact multi-fingered vinyl or retractable and operate simultaneously with the bottom seals.]
6. Horizontal bottom seals shall [automatically operate as the panels are positioned, providing 2" [50mm] nominal operating clearance, and exert downward force when extended. or be mechanically retractable, providing 1 1/2" [38mm] nominal operating clearance, and exert downward force when extended.]

B. Weight of the panels shall be 12 lbs./sq. ft. [59 kg/sq.m] plus or minus 1 lb. based on options selected.

C. Suspension system:

1. Track shall be clear anodized tempered aluminum with soffit trim of clear anodized aluminum providing a transition to the ceiling. Track shall include support brackets and hanger rods, spaced to manufacturer's standards.

(Select one)

remote- or side-stacking individual panels

- a. Each panel shall be supported by two dual horizontal wheel trolley assemblies made of glass-reinforced, self lubricating nylon with steel precision ground bearings. Carrier design shall use a counter rotating concept to move panels along the track and through 90 degree "L", "T", & "X" intersections. Carriers using friction discs shall not be permitted.

or

center-stacking single-point panels

- a. Each panel shall be supported by one 4-wheeled carrier. Wheels shall be built with steel precision ground bearings.

D. Finishes

1. Tempered glass finish shall be: (select as required)
 - a. Clear.
 - b. Standard up-grade finishes:
 - (1) Tinted (select color).
 - (2) Colored (select color).
 - (3) Etched.
 - (4) Acid etched.
 - (5) Sanblasted.
2. Frame color shall be: (select as required)
 - a. Clear anodised aluminum.
 - b. Standard up-grade finishes:
 - (1) Dark Bronze Painted.
 - (2) RAL color Painted (select color).
 - (3) Colored Anodised.
3. Aluminum track and soffit shall be clear anodized.

E. Accessories/Options

1. Electrically tilting blinds with remote control.
2. ADA-compliant pass door of the same thickness as the basic panels.
3. Inset dry marker boards. Location and height as indicated on plans.
4. Inset porcelain marker boards. Location and height as indicated on plans.
5. Inset chalk boards. Location and height as indicated on plans.
6. Inset tack boards. Location and height as indicated on plans
7. Acoustical Pocket doors.

■ OPERATION

A. Panels shall be manually operated, top supported, moved individually from the storage area, positioned in the opening, and seals set.

B. Seals

(Select one)

individual panels only

1. Bottom seals shall automatically activate as panels are deployed / positioned without the use of any handle or action by the operator and shall automatically retract when panels are moved to be stored.

or

1. Retractable Mechanical Bottom seals shall be activated by a removable operating handle located approximately 40" [1050mm] from the floor in the panel edge.

2. Seal activation shall not require more than one rotation of the removable handle.

individual panels and single point panels

1. Retractable Mechanical Top and Bottom seals shall be activated by a removable operating handle located approximately 40" [1050mm] from the floor in the panel edge.

2. Seal activation shall not require more than one rotation of the removable handle.

C. Final partition closure to be by:

(Select one)

1. Telescopic closure panel incorporating an expanding jamb member operated from either side of the panel. Panel shall be capable of compensating for minor out-of-plumb wall conditions and provide a positive vertical seal between partition and building structure.

or

1. Pivot Closure Panel permanently positioned at the back end of the partition. Panel permits access between adjacent rooms and shall be of the same finish as basic panels. Top and bottom seals shall be continuous contact multi-ply vinyl.

■ ACOUSTICAL PERFORMANCE

A. Acoustical performance shall have been tested at an independent laboratory in accordance with ASTM E90 Test Standards. Standard panel construction shall have obtained a minimum STC rating of 44.



For additional information:
www.moderco.com
info@moderco.com

More than 130 distributors Worldwide.
 Free brochures, Architectural binders
 and technical data sheets.

All information contained in this brochure is subject to change without notice

Moderco Inc.
 115 de Lauzon,
 Boucherville,
 (Québec) J4B1E7

Phone: 1-800-363-3150
 Fax: 1-800-231-4965



Printed on recycled paper

CRYSTAL
 CRYSTAL
 CRYSTAL